

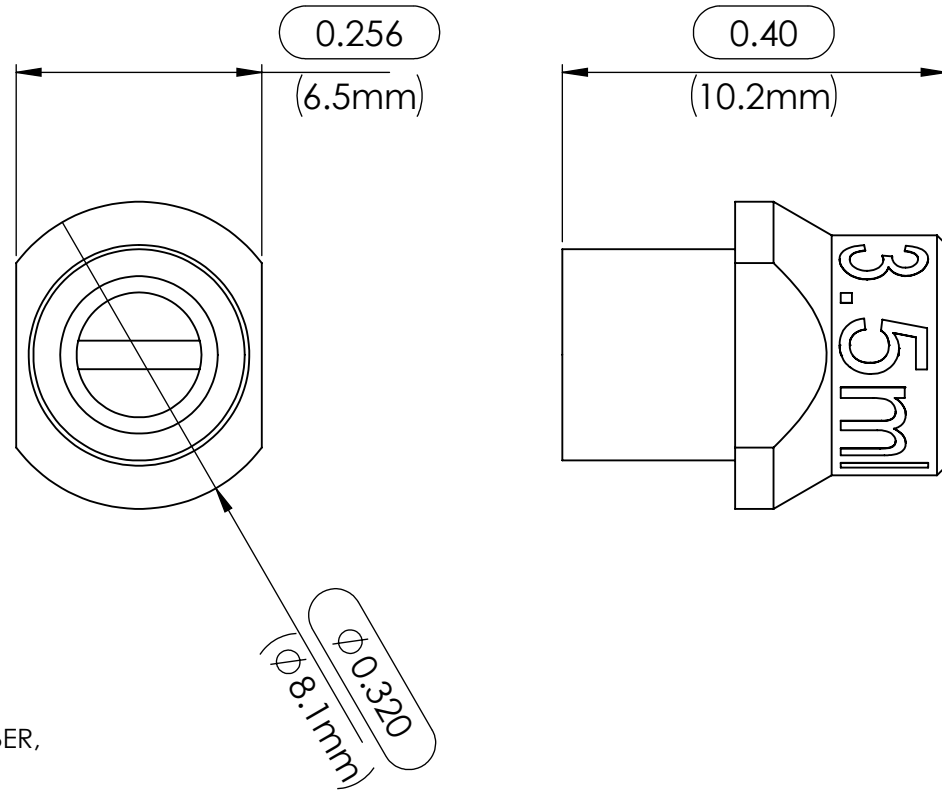
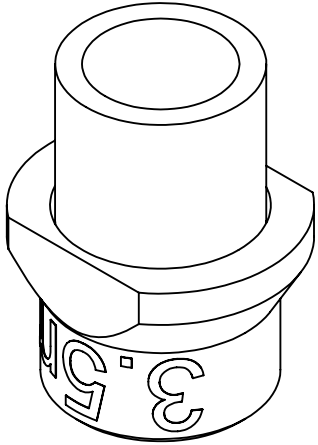
DRAWING NO.
CV24653201

REV
A

Customer Drawing

REVISION HISTORY

REV	DESCRIPTION (ECO)	DATE	APPROVED
A	INITIAL RELEASE, ECO#13189	02/27/2026	JS



NOTES:

1. LUER SYRINGE ACTIVATED TWO WAY CHECK VALVE.
COMPATIBLE WITH ISO 80369-7:2021.
2. HOUSING: WHITE POLYCARBONATE
STEM: SILICONE
3.5ml: LASER PRINT
SPRING: 302 STAINLESS STEEL PASSIVATE
3. VENDOR MUST SUPPLY CERTIFICATION THAT IDENTIFIES THE
CUSTOMER PART NUMBER, REVISION LEVEL, VENDOR LOT NUMBER,
IDENTIFICATION OF MATERIAL AND QUANTITY.
4. ALL COMPONENTS HAVE BEEN 100% LEAK TESTED TO A MAX
ALLOWABLE LEAKAGE RATE OF <0.055CC/MIN.
5. CRITICAL DIMENSIONS ARE CIRCLED AND SUBJECT TO INSPECTION.
6. DIMENSIONS IN PARENTHESES ARE FOR REFERENCE ONLY.
7. ALL DIMENSIONS ARE IN INCHES WITH NOMINAL DIMENSIONS IN
METRIC BELOW.

MOLDED PARTS:
GATES, PARTING LINES, AND FLASH PER QUALITY CRITERIA

PROPRIETARY AND CONFIDENTIAL
THE INFORMATION CONTAINED IN THIS DRAWING IS SOLE PROPERTY
OF HALKEY-ROBERTS CORPORATION ST. PETERSBURG, FL. ANY
REPRODUCTION IN PART OR AS A WHOLE WITHOUT THE WRITTEN
PERMISSION OF HALKEY-ROBERTS CORPORATION IS PROHIBITED.

DRAWN BY	B.BACHO	DATE	02/04/2026
APPROVED BY	J. SCHINIS	DATE	02/27/2026
MATERIAL	SEE NOTES		
FINISH			
UNLESS OTHERWISE SPECIFIED:	THIRD ANGLE PROJECTION		
DIMENSIONS ARE IN INCHES			
TOLERANCES:			
ANGULAR: ± 1°			
TWO PLACE DECIMAL ± .01			
THREE PLACE DECIMAL ± .005			

HR® Halkey-Roberts®	
TITLE CATHETER VALVE, 3.5ML	
SIZE A	DRAWING NO. CV24653201
SCALE 5:1	REV A
DO NOT SCALE DRAWING	
SHEET	1 OF 2

DRAWING NO.
CV24653201

REV
A

Customer Drawing

BILL OF MATERIAL:

LUER SLIP ADAPTER: WHITE POLYCARBONATE MAKROLON RX 1805013771

STEM: BLUE SILICONE 60 SHORE A DUROMETER WACKER LR3003/60 DTI COLOR, K72670

SPRING: 302 STAINLESS STEEL PASSIVATE

VALVE BODY: WHITE POLYCARBONATE MAKROLON RX 1805013771

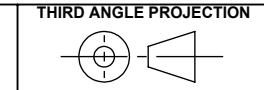
DRAWN BY	B.BACHO	DATE	02/04/2026
APPROVED BY	J. SCHINIS	DATE	02/27/2026
MATERIAL	SEE NOTES		

HR[®] Halkey-Roberts[®]	
TITLE	CATHETER VALVE, 3.5ML
SIZE	DRAWING NO.
A	CV24653201
SCALE	REV
5:1	A

MOLDED PARTS:
GATES, PARTING LINES, AND FLASH PER QUALITY CRITERIA

PROPRIETARY AND CONFIDENTIAL
THE INFORMATION CONTAINED IN THIS DRAWING IS SOLE PROPERTY OF HALKEY-ROBERTS CORPORATION ST. PETERSBURG, FL. ANY REPRODUCTION IN PART OR AS A WHOLE WITHOUT THE WRITTEN PERMISSION OF HALKEY-ROBERTS CORPORATION IS PROHIBITED.

UNLESS OTHERWISE SPECIFIED:
DIMENSIONS ARE IN INCHES
TOLERANCES:
ANGULAR: $\pm 1^\circ$
TWO PLACE DECIMAL $\pm .01$
THREE PLACE DECIMAL $\pm .005$



SCALE	DO NOT SCALE DRAWING	SHEET	2 OF 2
--------------	-----------------------------	--------------	---------------